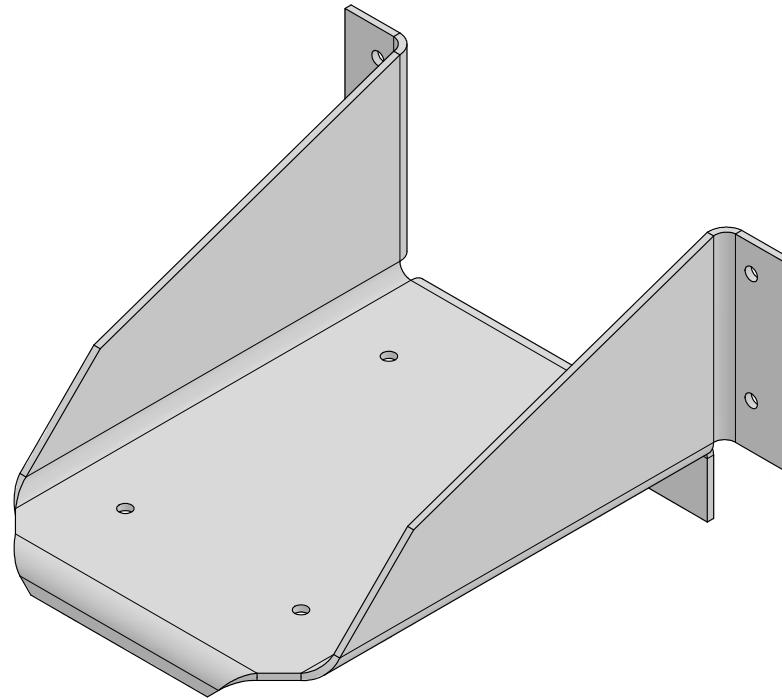


PARTS LIST			
ITEM	QTY	PART NUMBER	DESCRIPTION
1	1	MOTOR SUPPORT	10 GA (.141) USS STEEL

DDGT
 DIGITAL DESIGN
 GRAPHICS
 TECHNOLOGY

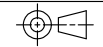
WWW.DDGT.NET

GENERAL NOTES
 INSIDE BEND RADIUS
 R.25



MOTOR SUPPORT
 SCALE 1 : 1

LEGEND:
 Ø DIAMETER
 R RADIUS
 ° DEGREES



UNLESS OTHERWISE SPECIFIED:
 DIMENSIONS IN INCHES
 1/8" = 0.03125"
 1/16" = 0.0625"
 1/32" = 0.03125"
 3/32" = 0.09375"
 1/8" = 0.125"
 1/4" = 0.25"
 3/8" = 0.375"
 1/2" = 0.5"
 5/8" = 0.625"
 3/4" = 0.75"
 7/8" = 0.875"
 1" = 1.0"
 ANGLES 11 DEGREE
 SURFACES $\sqrt{\text{V}}$

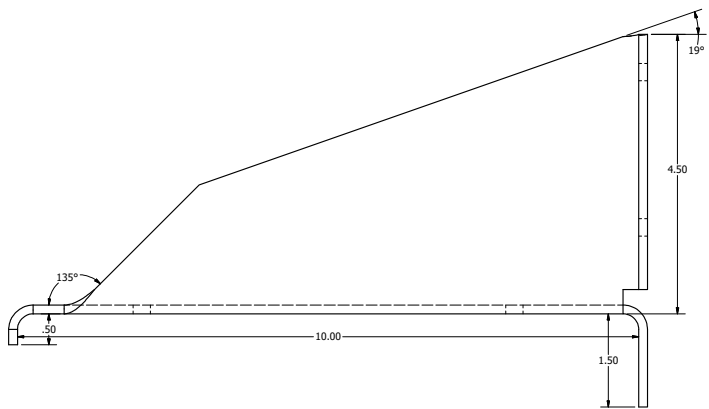
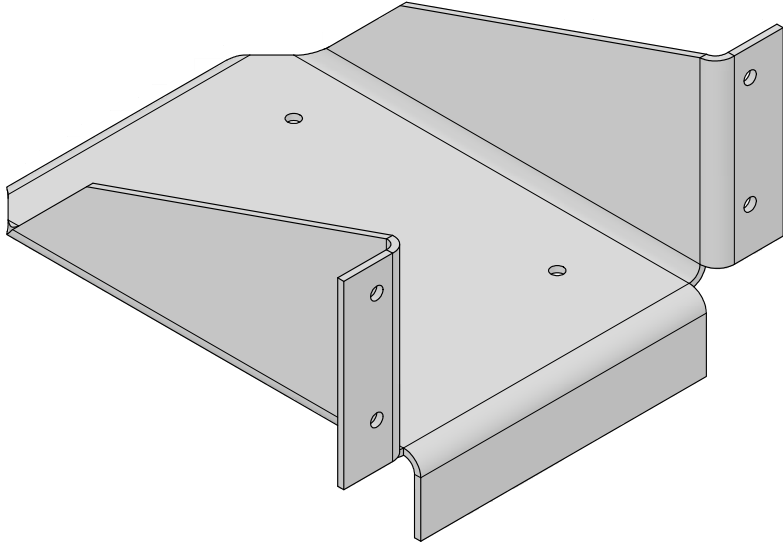
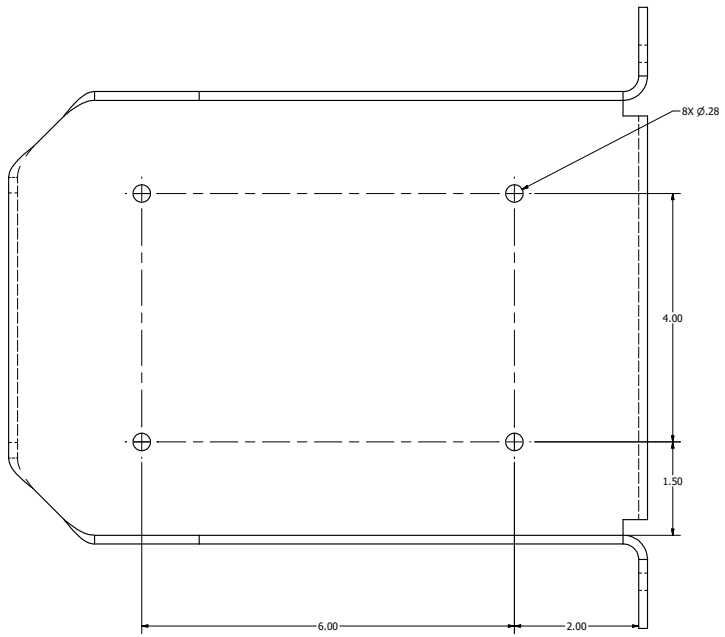
CLASS:	DDGT 120
ASSIGNMENT #:	69
INVENTOR DRAFTING NAME:	MOTOR SUPPORT
FIG #:	23-54
MANAGER:	G. STROMMEN
DRAFTER:	J. JORDAN
DATE:	12/10/2025
SCALE:	AS NOTED
PAGE #:	1 OF 3

PARTS LIST		
ITEM	QTY	PART NUMBER
1	1	MOTOR SUPPORT

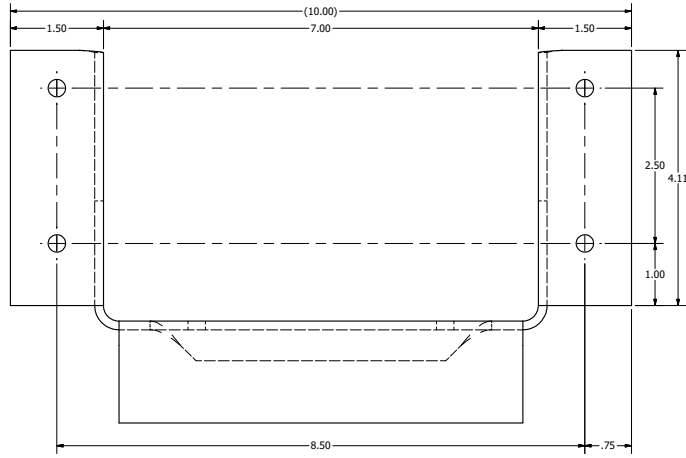
DDGT
DIGITAL DESIGN
GRAPHICS
TECHNOLOGY

WWW.DDGT.NET

GENERAL NOTES
INSIDE BEND RADIUS
R.25



MOTOR SUPPORT
SCALE 1 : 1



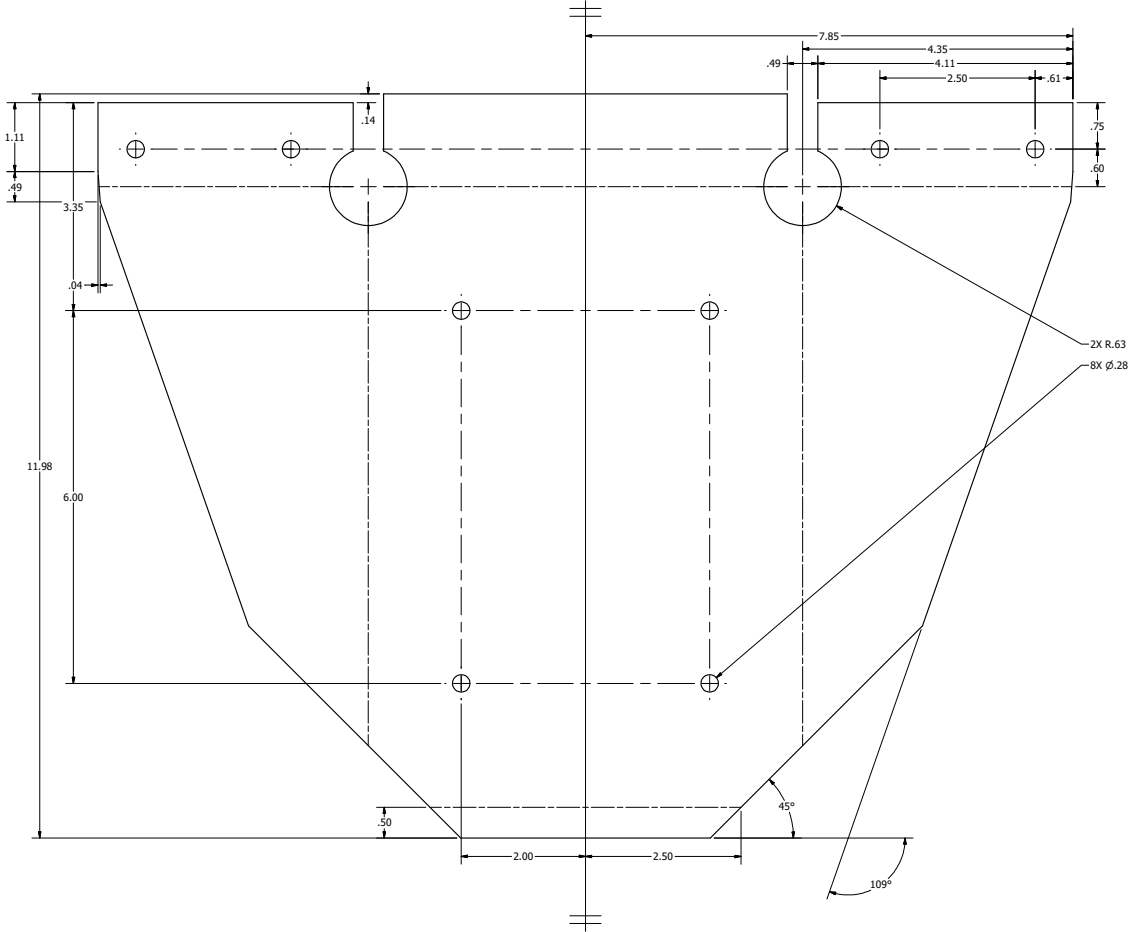
LEGEND:
Ø DIAMETER
R RADIUS
° DEGREES

TOLERANCES UNLESS SPECIFIED:	
F	± .010
XX	± .005
XXX	± .002
FRACTIONAL DIMS	
ANGLES	± 15 SECONDS
SURFACES	
CLASS:	DDGT 120
ASSIGNMENT #:	69
INVENTOR DRAWING NAME:	
MOTOR SUPPORT	
TRG #:	23-54
MANAGER:	G. STROMMEN
DRAWER:	J. JORDAN
DATE:	12/10/2025
SCALE:	AS NOTED
PAGE #:	2 OF 3

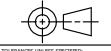
PARTS LIST		
ITEM	QTY	PART NUMBER
1	1	MOTOR SUPPORT



WWW.DDGT.NET
 GENERAL NOTES
 INSIDE BEND RADIUS
 R.25



MOTOR SUPPORT FLAT PATTERN
 SCALE 1 : 1



UNLESS OTHERWISE SPECIFIED:
 DECIMAL INCHES
 1" = 1.000
 XX" = 1.000
 FRACTIONS 1/16"
 ANGLES 1/2 DEGREE
 SURFACES TO

CLASS: DDGT 120
 ASSIGNMENT #: 69
 INVENTOR DRAWING NAME:
 MOTOR SUPPORT

TITLE #: 23-54
 MANAGER: G. STROMMEN
 DRAFTER: J. JORDAN
 DATE: 12/10/2025
 SCALE: AS NOTED
 PAGE #: 3 OF 3

LEGEND:
 Ø DIAMETER
 R RADIUS
 ° DEGREES